

PRODUCT CODE: MP31
CHANNEL BRACKET

DESCRIPTION

41mm Side by Side U Bracket

FINISH

Hot Dipped Galvanised

MATERIAL

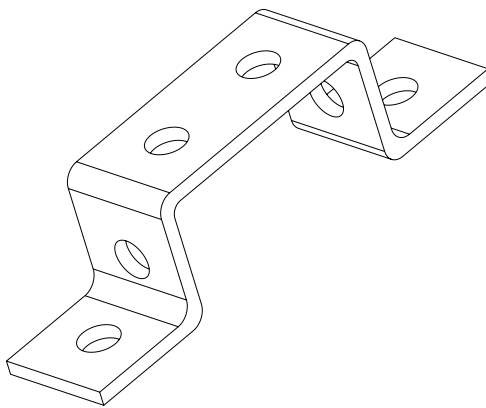
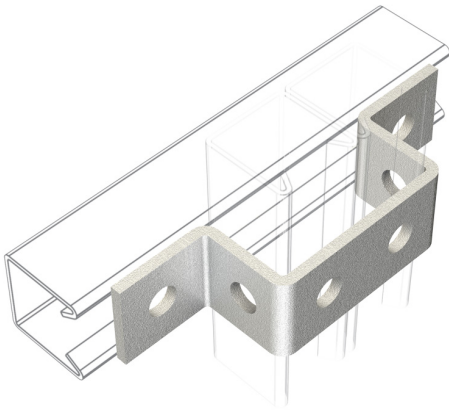
Steel

PACKAGING

Packed in qty 10

ADDITIONAL NOTES

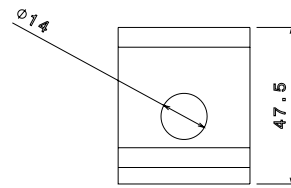
Compliant to LU Standard 1-085 (for use on surface & sub-surface locations)



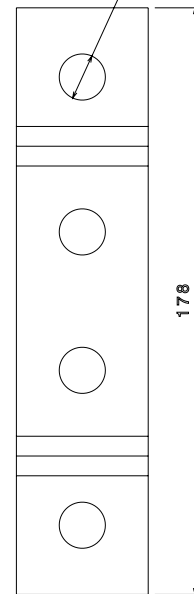
Isometric view



Side view



Front view



Top view